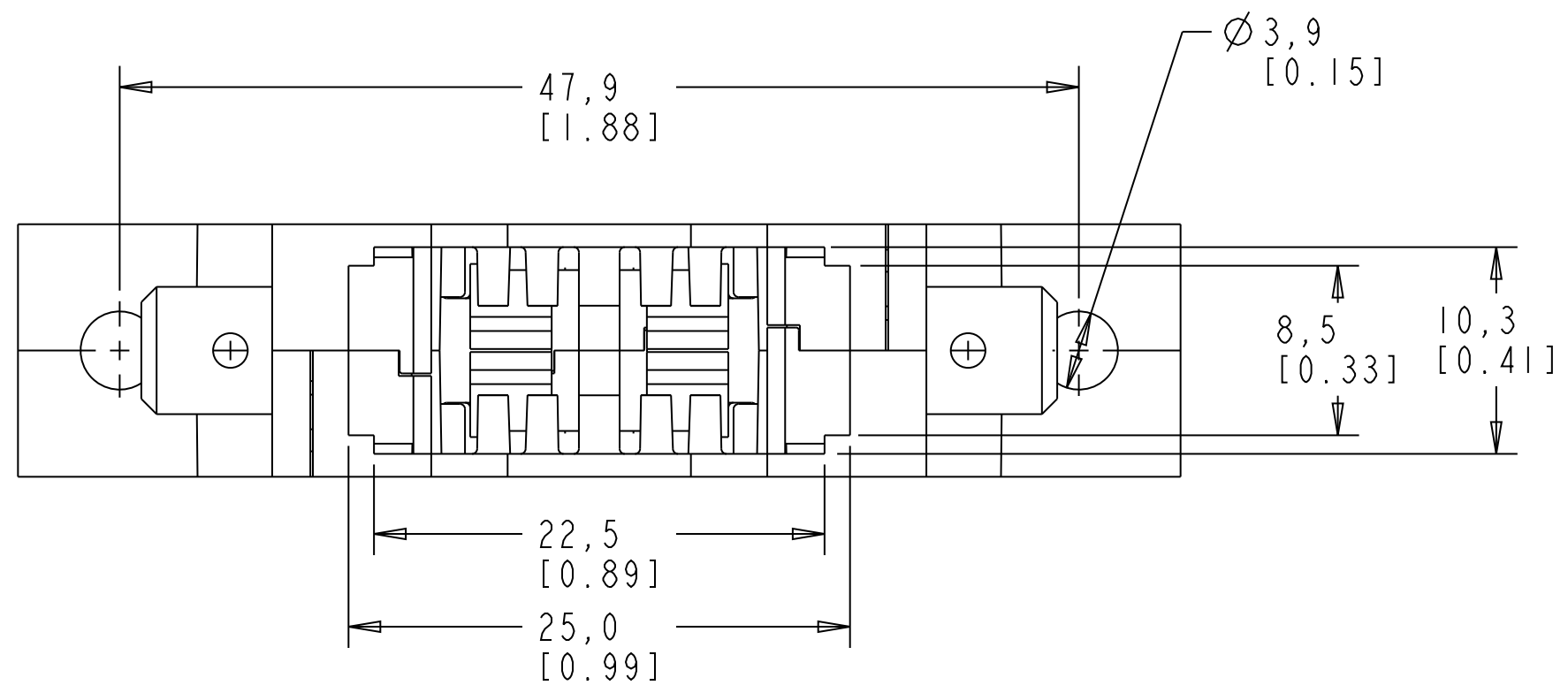
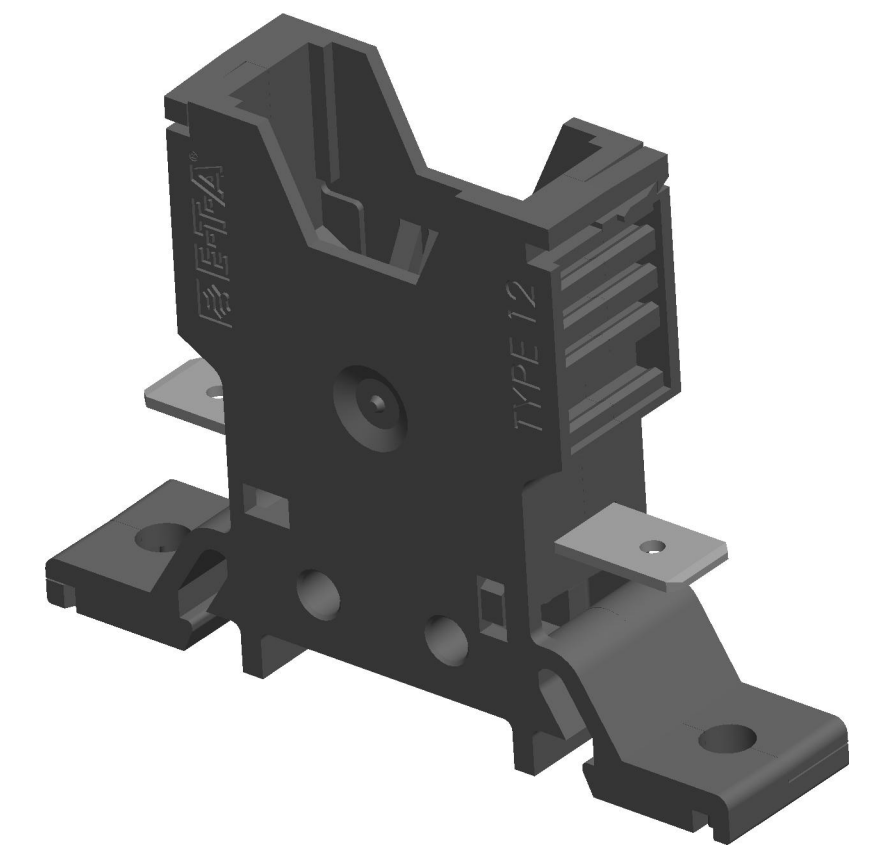
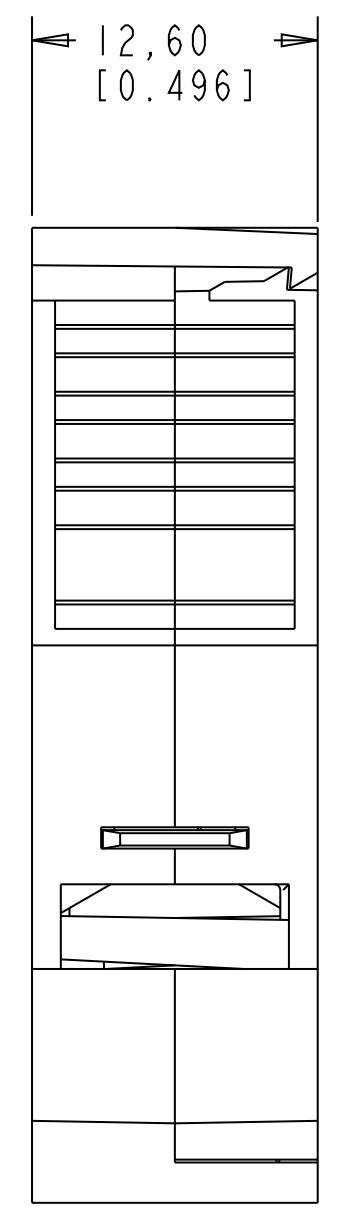
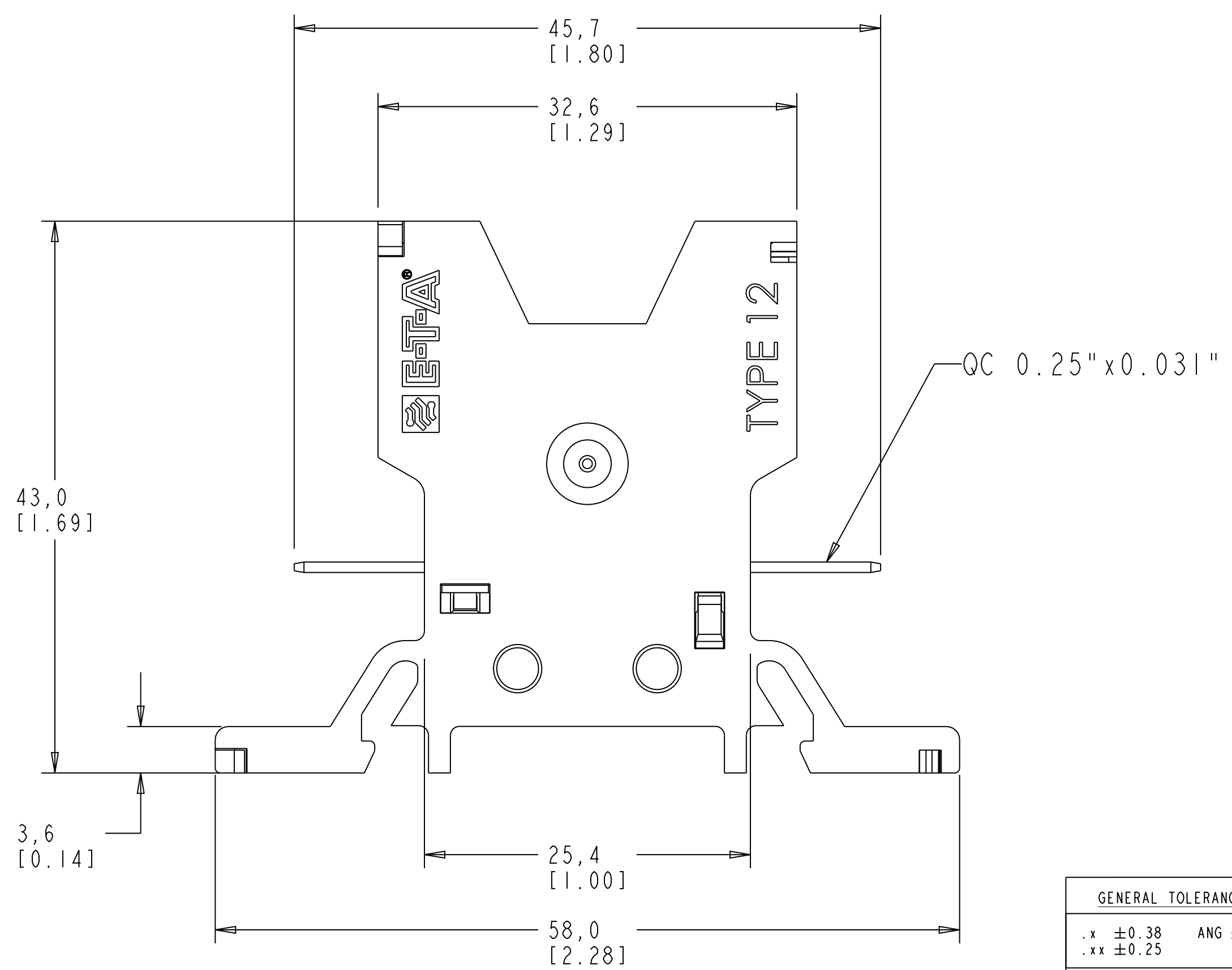


REV.	DESCRIPTION	DATE
01	INITIAL RELEASE	5.22.08
02	MOD. HOUSING- ADD CORNER SUPPORTS	6.24.08



Notes:  
 1) Molding-Glass Filled Polycarbonate Thermoplastic  
 Temperature rating 125°C(257°F)  
 Flammability rating UL94V-0  
 2) RoHS Compliant.



GENERAL TOLERANCES		THIS DRAWING IS THE PROPERTY OF ETA CIRCUIT BREAKERS MOUNT PROSPECT, IL AND SHALL NOT EXCEPT UPON PRIOR WRITTEN PERMISSION OF ETA BE USED FOR ANY PURPOSE EXCEPT THE MANUFACTURE OF ARTICLES FOR ETA CIRCUIT BREAKERS DRAWING TO BE RETURNED UPON REQUEST		DESCRIPTION: <b>SOCKET 12-P10</b>		QA	COPY	APPR
.x ±0.38	ANG ± 1°	DRAWN: <i>J.Mathew</i>		DATE: 15-May-08	CHECKED:	DATE:	MFG ENG	
.xx ±0.25		APPROVED:		DATE:	ORDER:	REV: 02	FDY ENG	
DIMENSION UNITS ARE FORMATTED AS: MILLIMETERS [INCHES] UNLESS OTHERWISE SPECIFIED ALL ANGLES ARE PRESUMED 90° UNLESS OTHERWISE SPECIFIED		ETA Circuit Breakers Mount Prospect, IL		THIRD ANGLE PROJECTION		PATT SHOP		COMPUTER GENERATED
DO NOT SCALE DRAWING		VENDOR:		MATL: SEE NOTES	WEIGHT-KGS:	SCALE: 3.00	SHEET: 1 of 1	SIZE: C